

GTPC-50-D series

50W LED Triac Dimmable Constant Voltage Power Supply



■ Features:

- Constant voltage design
- European AC input range
- Protections: Overload / Over voltage / Short circuit
- Cooling by free air convection
- Isolation class II
- Suitable to work with AC triac dimmers
- CB certificate



◎ ELECTRICAL SPECIFICATION

MODEL	GTPC-50-12-D		GTPC-50-24-D			
OUTPUT						
Rated Voltage	12V		24V			
Rated Current	4.16A		2.08A			
Current Range	0 ÷ 4.16A		0 ÷ 2.08A			
Rated Power	50W					
Dimming range	1 – 100%					
Line Regulation	± 3%					
Load Regulation	± 3%					
Tolerance [3]	± 3%					
Ripple & Noise (max.) [2]	2000mV _{p-p}					
Setup [4]	500ms / 230VAC at full load					
INPUT						
Voltage Range	220 ÷ 240VAC					
Frequency Range	47 ÷ 63Hz					
Efficiency (typ.)	84%		86%			
AC Current (typ.)	0.31A / 230VAC					
Inrush Current (typ.)	5A / 230VAC; 500µs					
Max. No. Of PSU on Circuit Breaker	B10	B16	C10	C16	D10	D16
	11	17	16	26	32	51

PROTECTIONS

Overload	Range: Constant power Type: auto-recovery.
Short Circuit	Type: auto-recovery.
Over Voltage	Type: shut off, auto-recovery.
Over Temperature	Type: shut off, auto-recovery.

WORKING ENVIRONMENT

Working Temperature	-20°C ÷ 50°C, ta: 40°C; tc: 70°C
Working Humidity	20 ÷ 90% RH non-condensing

GTPC-50-D series

50W LED Triac Dimmable Constant Voltage Power Supply



Storage Temperature and Humidity -20°C ÷ 70°C, 10 ÷ 95% RH non-condensing

SAFETY and EMC REGULATIONS

Safety Standards Compliance to EN 61347-1, EN 61347-2-13, EN 60598-1

Withstand Voltage IN/OUT: 3.75kVAC

Isolation Resistance IN/OUT: 100MΩ/500VDC/25°C/70%

EMC Emission Compliance to EN 55015, EN 62493

EMC Immunity Compliance to EN 61547

Harmonic Current Compliance to EN 61000-3-3; EN 61000-3-2

OTHERS

Lifetime (typ.) 30 000 hours

Dimensions 184 x 62 x 33 mm, 240g

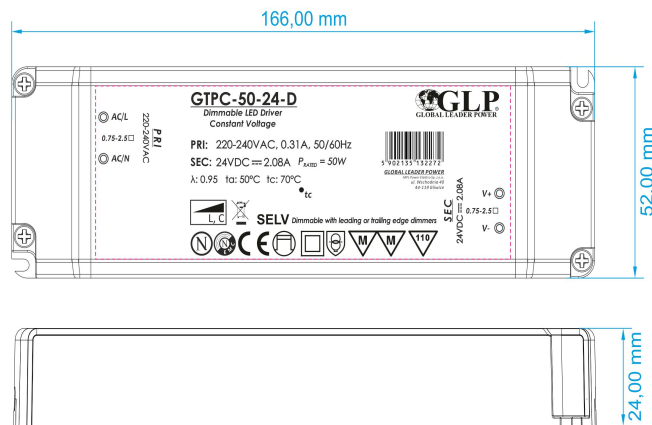
Weight and Packing 240g; 50pcs./ctn; ctn weight and dimensions: 12kg; 39.5 x 33.5 x 20cm

EAN Code



1. All parameters NOT specially mentioned are measured at 230VAC input, rated load and 25°C of ambient temperature.
2. Ripple & noise are measured at 20MHz of bandwidth by using a 12" twisted pair-wire terminated with a 0.1μF i 47μF parallel capacitor.
3. Tolerance includes set up tolerance, line regulation and load regulation.
4. Setup time is measured from 0 to 90% rated output voltage.
5. Power supply is considered as component not indented to apply by end-user. Power supply meets safety and EMC standards however the final equipment with power supply must be re-quality to comply with EMC Directives.

MECHANICAL SPECIFICATION



Suggested connection diagram with dimmer

